

SERVICE MANUAL

renatron[®]

Dialyzer Reprocessing System
RS-8300, RS-8310, RS-8330 & RS-8335



MINNTECH[®]
renal systems

Equipment

Circuit Board Assemblies

Renatron Type	Load Cell Type	Board Type	Board Part Number
Renatron II	Old	Control Board	E70136-003
Renatron II	New	Control Board	E70136-004
Renatron II	N/A	Expansion Board*	E70201-020
All	N/A	Power Board	E70141-000

* NOTE: The machine serial number must be supplied when ordering the expansion board.

Miscellaneous Parts

Part Number	Description
43031-000	Rubber Feet
47875-000	Dialyzer Connector
40088-002	Label - Bar Code S/N - PC

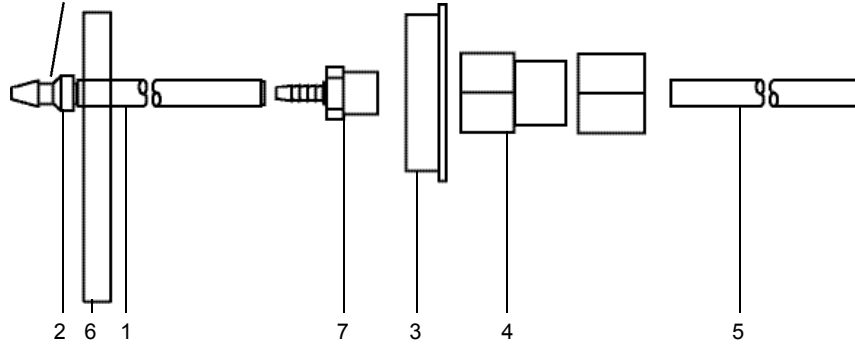
Preventative Maintenance Kit

Part Number	Description
78207-040	Preventative Maintenance Package

This kit contains the following items:

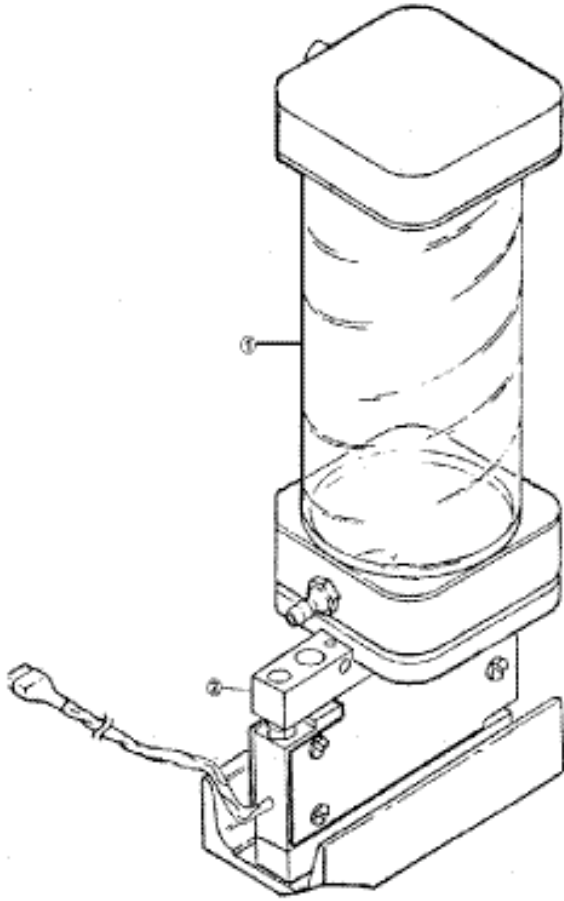
Qty.	Description
1	Diaphragm
4	Small Valve Plungers
9	Large Valve Plungers
1	Tubing Kit
10	Large Tie Wraps
20	Small Tie Wraps
16	O-rings (Dialysate connectors)
1	Large Valve Guide
1	Small Valve Guide
1	Jet Pump Nozzle Spacer Assembly
10 pk	Reprocessing connectors
4	O-ring - Large Valve
9	O-ring - Small Valve

Critical: Note direction
of check valve



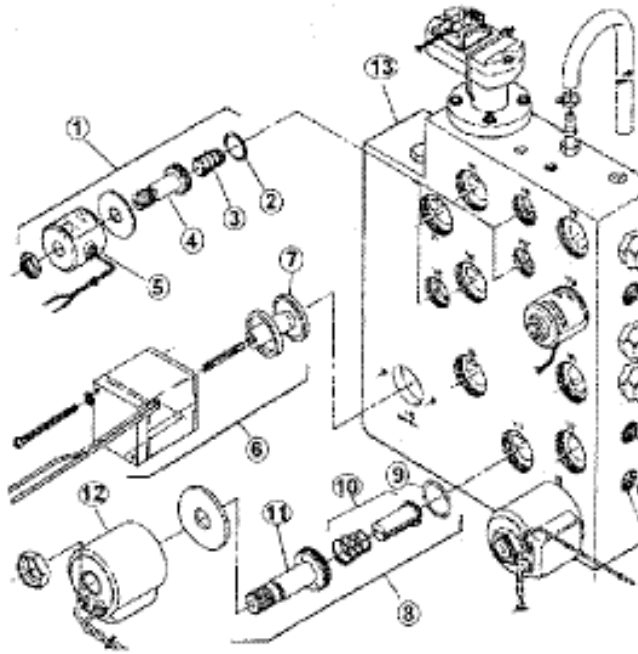
78397-847 Uptake Tube Assembly Renalin 100

Item	Part Number	Description
1	47509-320	Renalin Hose
2	41600-113	Check Valve
3	75227-354	Cap
4	47509-358	Tube Fitting - Female
5	47606-005	Suction Tube
6	67197-897	Label Renalin 100 Hose
7	47509-357	Adapter 3/8" MNPT x 1/4" barb



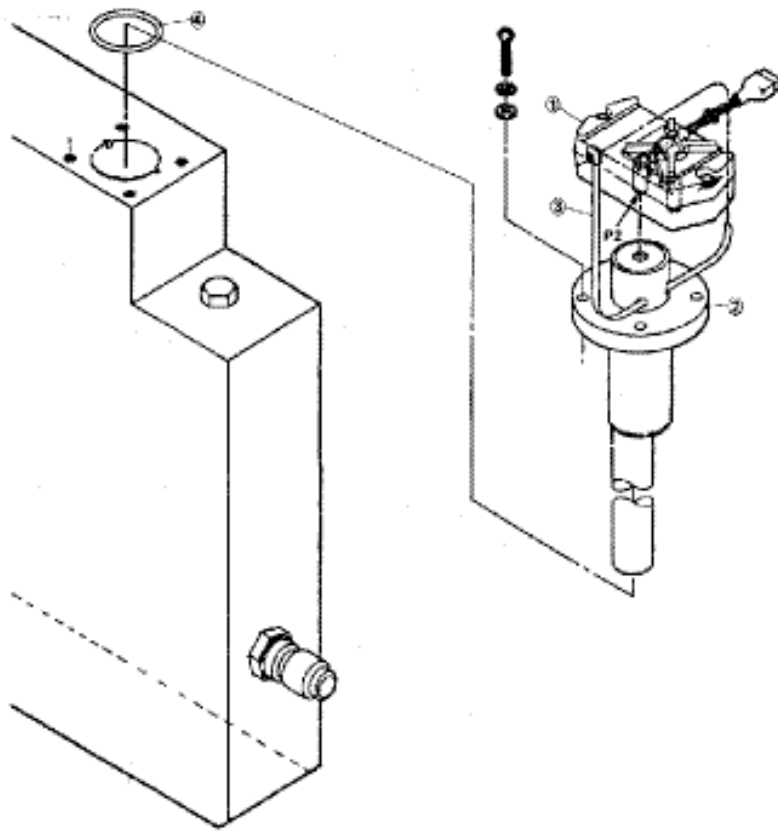
Tank Load Cell Assembly Parts Listing

Item	Part Number	Description
1	78398-636	Tank Assembly
2	45005-026	Load Cell



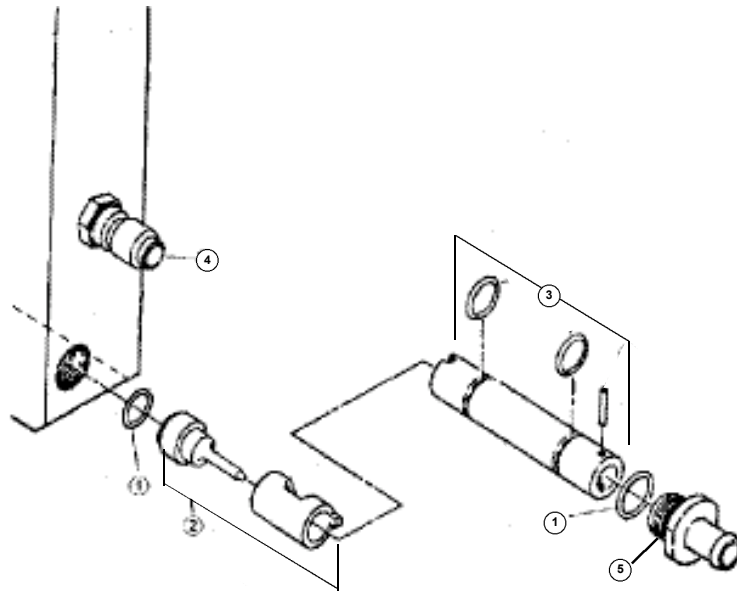
Manifold / Valve Assembly Parts Listing

Items	Part Number	Description
1	41014-001	Solenoid Valve Assembly
2	41014-015	O-ring
3	41014-004	Small Valve Plunger
4	41014-003	Small Valve Guide
5	41014-002	Small Valve Coil
6	41013-003	Solenoid Valve Assembly
7	41013-001	Diaphragm
8	41015-001	Solenoid Valve Assembly
9	41015-015	O-ring
10	41015-004	Large Valve Plunger
11	41015-003	Large Valve Guide
12	41015-002	Large Valve Coil
13	75071-001	Manifold
Not Shown	78207-000	Large Valve Removal Tool



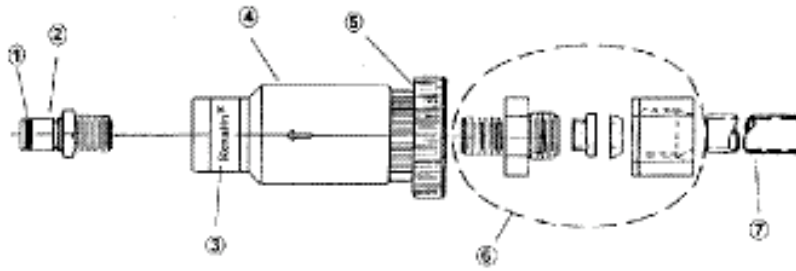
Transducer/Baffle Assembly Pa rts Listing

Item #	Part Number	Description
1	45006-001	Pressure Transducer
2	78202-000	Baffle Assembly
3	37509-004	Large Tie Wrap
4	43044-001	O-ring



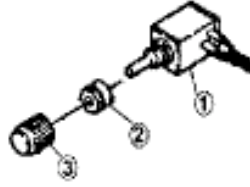
Water Inlet / Jet Pump Assembly Parts Listing

Item #	Part Number	Description
1	43034-000	O-ring
2	78397-842	Jet Pump Nozzle/Spacer
3	78397-843	Jet Pump Diffuser Assembly
4	47801-001	Inlet Water Connector
5	75100-000	Drain Fitting
Not Shown	47048-001	Jet Pump Removal Tool



78147-003 Renalin Uptake Tube Assembly 21% Parts Listing

Item #	Part Number	Description
1	43044-003	O-ring
2	47502-003	Connector
3	40053-000	Label - Renalin Conn.
4	41005-001	Ball Check Valve
5	75072-002	Cap - Modified
6	78397-814	Tube Fitting Assembly
7	47606-001	Suction Tube
Not Shown	47502-002	Colder Coupler (In-line Female)
Not Shown	47611-000	PVC Tubing - Red
Not Shown	40065-000	Label - Renalin Hose



Hold To Set Assembly Parts Listing

Item #	Part Number	Description
1	35523-002	Mod-Pot (Wired)
2	43035-000	Grommet 7/8 ID
3	41512-000	Knob



78398-584 - Interlock Cable Kit



MINNTECH[®] renal systems



Minntech Corporation
14605 28th Avenue North
Minneapolis, MN 55447 U.S.A.
Tel: (763) 553-3300
Toll Free: (800) 328-3340
Fax: (763) 553-3387
website: www.minntech.com

Minntech BV
Sourethweg 11
6422PC Heerlen
The Netherlands
Tel: +31 45 5 471 471
Fax: +31 45 5 429 695
email: info@minntechbv.com

Minntech Japan Corporation
4F Shinjuku Yochomachi Bldg.
10-10 Yochomachi Shinjuku-ku
Tokyo 162 - 0055 Japan
Phone: +81 3 3225 8680
Fax: +81 3 3225 8681

Minntech Asia/Pacific Pte Ltd
438 Alexandra Road
#03-01 Alexandra Point
Singapore 119958
Phone: +65 6227 9698
Fax: +65 6225 6848